

AC Explosion Proof Motors

Nema size 56 - 256
IEC size 80 - 160



C US

Class I Div 1
Class II Div 1

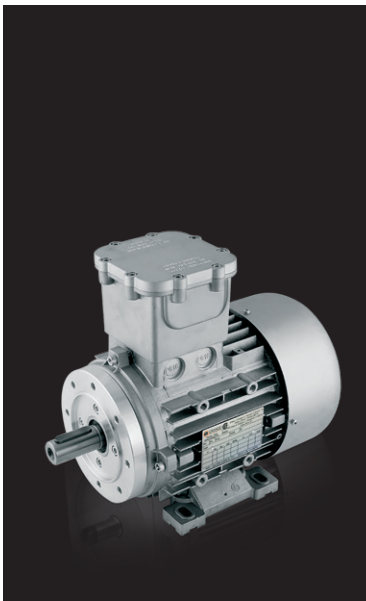


A dynamic, strong and ambitious Group

Orange1 Holding is an international renown Group, one of the most important European manufacturers of single-phase and three-phase asynchronous electric motors. It has an annual capacity of more than 1 million motors and 5 million electric stators with an annual turnover of approx 235 million euro and more than 1600 workers in 15 production facilities. The group, established in 1971 by Leone Donazzan, chaired today by his son Armando Donazzan, is strongly focused on technological innovation, performance and customization to meet individual clients requirements.



Orange1 Electric Motors is known worldwide for the production of explosion proof motors ATEX, IECEx, cCSAus, EAC for hazardous areas. It also offers products suitable for powerpack applications , lifting , garage equipments, compactors and hydraulic applications in general , encapsulated motors for ambient with high humidity as car wash systems, offshore applications and food industry , motors with integrated frequency drive to get very sophisticated controls minimizing the overall dimensions of the product. This peculiarity makes Elpromtech world leader for the market in which maximum reliability, technological innovation and high quality are required.



AC Explosion Proof Motors

Series of aluminium motors completely modular. The feet and flanges can be mounted without affecting the Ex type of protection. This permits a big advantage in the warehouse management. Applying feet and flanges it is possible to realize every requested mounting arrangement and this operation can be made without any problem for cCSAus , ATEX, EAC and IECEx motor approval.

Certification

Motors certification

Elpromtech Explosion Proof Motors range approved by CSA (Canadian Standard Association) in compliance with CSA and UL standard. Asynchronous motors three-phase and single-phase. NEMA and IEC mounting.

Class	Division	Groups	Temperature Surface
Class I	Div. 1	Group C	T4
Class I	Div. 1	Group D	T4
Class II	Div. 1	Group E	T4
Class II	Div. 1	Group F	T4
Class II	Div. 1	Group G	T4

In compliance with :
 CAN/CSA C22.2 No. 100
 CAN/CSA C22.2 No. 145
 CAN/CSA C22.2 No. 30
 UL 1004-1
 UL 1004-3
 UL 674
 UL 1203

The motors are suitable to apply in the ambient temperature from -25°C (-13°F) to +40°C (+104°F)

The motors are marked



CSA Listing mark for use in Canada and the United States. The product is certified to the applicable American and Canadian standards.

Hazardous area classification

Divisions

Div. 1: Ignitable concentrations are present all or most of the time

Div. 2: Ignitable concentrations are not likely to be present during normal operation

Classes: type of potentially explosive atmosphere

Groups: type of gas or dust

Hazard Class	Groups	Substance
Class I (Liquids and flammable gases)	Group C	Ethylene
	Group D	Propane
Class II (Combustible dusts)	Group E	Metal dust
	Group F	Coal dust
	Group G	Grain dust

Surface temperature: in function of their maximum surface temperature the motors are classified in a temperature class.

T codes

Code of surface temperature	°C	°F
T1	450	842
T2	300	572
T2A	280	536
T2B	260	500
T2C	230	446
T2D	215	419
T3	200	392
T3A	180	356
T3B	165	329
T3C	160	320
T4	135	185

Three-phase motors range

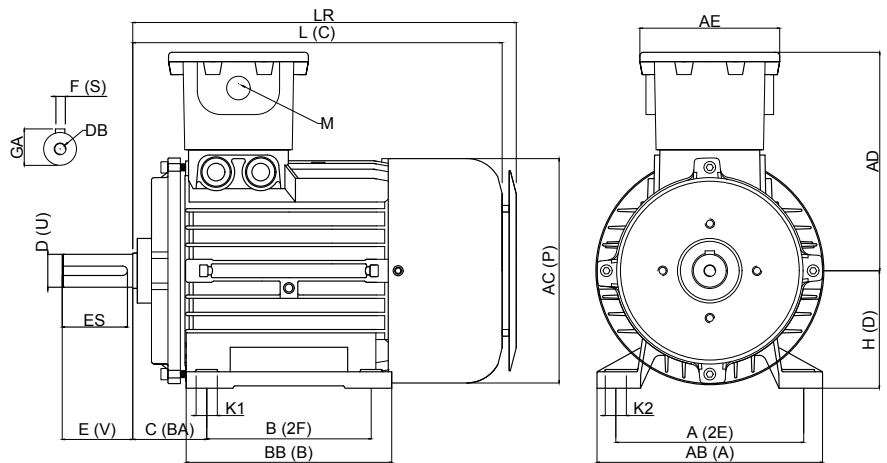
Frame	2 POLES	4 POLES	6 POLES
	HP	HP	HP
56	0.25 ÷ 3.00	0.25 ÷ 2.00	0.25 ÷ 1.50
143	1.50 ÷ 3.00	1.00 ÷ 2.00	0.75 ÷ 1.50
145	1.50 ÷ 3.00	1.00 ÷ 2.00	0.75 ÷ 1.50
182	3.00 ÷ 4.00	3.00 ÷ 4.00	1.50 ÷ 2.00
184	3.00 ÷ 5.00	3.00 ÷ 5.00	1.50 ÷ 3.00
213	7.50 ÷ 15.00	7.50 ÷ 12.50	3.00 ÷ 7.50
215	7.50 ÷ 15.00	7.50 ÷ 12.50	3.00 ÷ 7.50
254	15.00 ÷ 20.00	15.00	7.50 ÷ 10.00
256	25.00	20.00	15.00

Single-phase motors range

Frame	2 POLES	4 POLES	6 POLES
	HP	HP	HP
56	0.25 ÷ 2.00	0.25 ÷ 2.00	0.25 ÷ 1.00
143	1.50 ÷ 3.00	0.75 ÷ 2.00	0.75 ÷ 1.00
145	1.50 ÷ 3.00	0.75 ÷ 2.00	0.75 ÷ 1.00
182	3.00 ÷ 4.00	3.00	1.50
184	3.00 ÷ 5.00	3.00	1.50

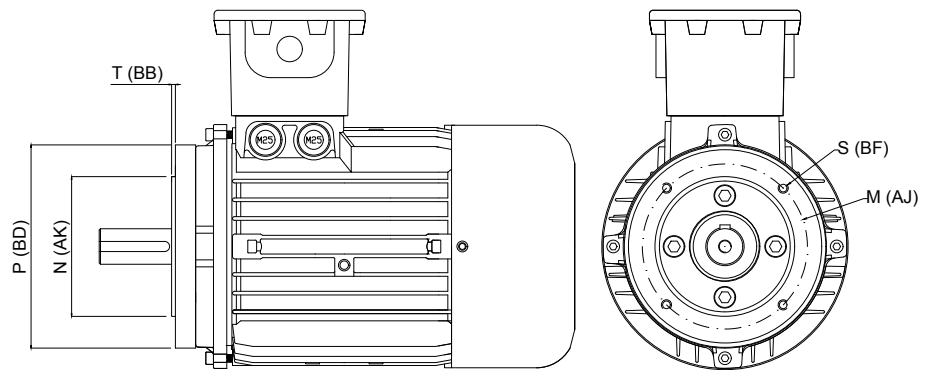
Nema Motors

Dimensions



Dimension in inches

Size	B (2F)	A (2E)	BB (B)	AB (A)	AC (P)	AD	AE	C (BA)	H (D)	L (C)	LR	K1	K2	M	D (U)	E (V)	GA	R	F (S)	ES
56	3	4,88	4,5	6,56	6,06	6,42	4,69	2,75	3,5	9,65	10,04	0,34	0,34	3/4" NPT	0,625	1,88	0,611	0,517	0,188	1,41
143	4	5,5	5,94	6,5	6,85	6,81	4,69	2,25	3,5	10,24	10,63	0,34	0,34	3/4" NPT	0,875	2,25	0,865	0,771	0,188	1,41
145	5	5,5	5,94	6,5	6,85	6,81	4,69	2,25	3,5	11,22	11,61	0,34	0,34	3/4" NPT	0,875	2,25	0,865	0,771	0,188	1,41
182	4,5	7,5	6,5	8,63	7,56	7,32	4,69	2,75	4,5	12,4	12,87	0,41	0,81	3/4" NPT	1,125	2,75	0,986	0,986	0,25	1,78
184	5,5	7,5	6,5	8,63	8,5	7,68	4,69	2,75	4,5	13,31	13,86	0,41	0,81	3/4" NPT	1,125	2,75	0,986	0,986	0,25	1,78
213	5,5	8,5	8	9,5	10,04	8,7	5,35	3,5	5,25	14,88	16,46	0,41	0,81	3/4" NPT	1,375	3	1,201	1,201	0,312	2,41
215	7	8,5	8	9,5	10,04	8,7	5,35	3,5	5,25	17,01	17,52	0,41	0,81	3/4" NPT	1,375	3	1,357	1,201	0,312	2,41
254	8,25	10	10,39	12,52	12,52	260	5,35	4,25	6,25	23,5	24,21	0,57	1,18	3/4" NPT	1,625	3,75	1,604	1,416	0,375	2,91
256	10	10	12,13	12,52	12,52	260	5,35	4,25	6,25	25,24	25,94	0,57	1,18	3/4" NPT	1,625	3,75	1,604	1,416	0,375	2,91



Dimension in inches

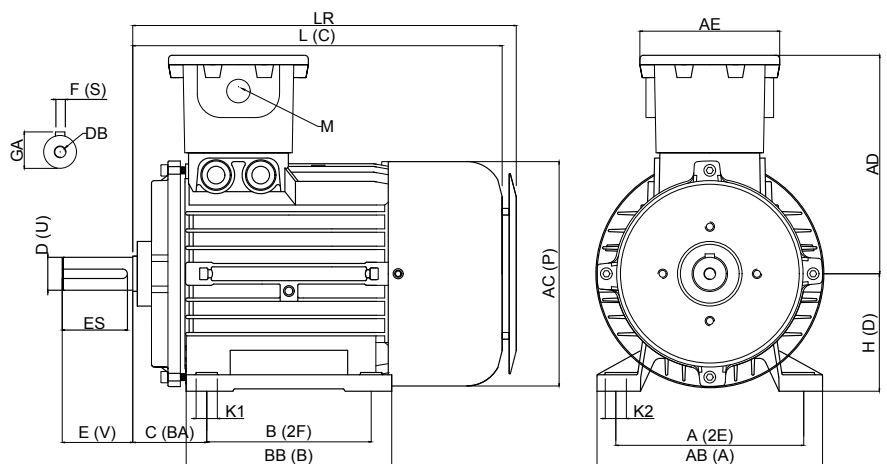
Size	P (BD)	N (AK)	M (AJ)	T (BB)	S (BF)
56C	6.5	4.5	5.875	0.16	3/8-16
143TC	6.5	4.5	5.875	0.16	3/8-16
145TC					
182TC	9	8.5	7.25	0.25	1/2-13
184TC					
213TC	9	8.5	7.25	0.25	1/2-13
215TC					
254TC	10	8.5	7.25	0.25	1/2-13
256TC					

Three-phase motors range

Frame	2 POLES	4 POLES	6 POLES
	kW	kW	kW
80	0.18 ÷ 1.10	0.18 ÷ 0.75	0.18 ÷ 0.55
90 L	1.50 ÷ 2.20	1.10 ÷ 1.50	0.75 ÷ 1.10
100 L	2.20 ÷ 3.00	2.20 ÷ 3.00	1.10 ÷ 1.50
112 M	4.00	4.00	2.20
132 M	5.50 ÷ 11.00	5.50 ÷ 9.00	2.20 ÷ 5.50
160 M	11.00 ÷ 15.00	11.00	5.50
160 L	18.50	15.00	7.50 ÷ 11.00

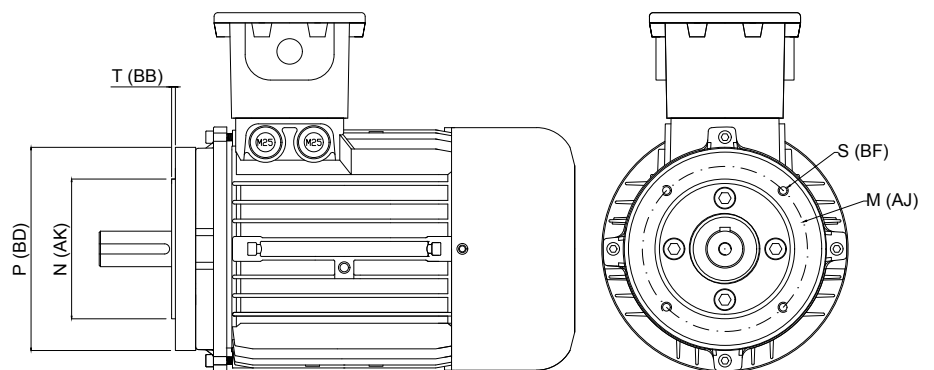
Single-phase motors range

Frame	2 POLES	4 POLES	6 POLES
	kW	kW	kW
80	0.18 ÷ 1.10	0.18 ÷ 0.75	0.18 ÷ 0.37
90 L	1.50 ÷ 2.20	1.10 ÷ 1.50	0.55 ÷ 0.75
100 L	2.20 ÷ 3.00	2.20	1.10



Dimension in mm

Size	B (2F)	A (2E)	BB (B)	AB (A)	AC (P)	AD	AE	C (BA)	H (D)	L (C)	LR	K1	K2	M	D (U)	E (V)	GA	F (S)	ES
80	100	125	125	154	154	163	119	50	80	245	255	9.5	17.5	M20	19	40	21.5	6	20
90L	125	140	155	174	174	173	119	56	90	285	295	9.5	17.5	M20	24	50	27.0	8	30
100L	140	160	175	192	192	186	119	63	100	315	327	11.2	21.2	M20	28	60	31.0	8	40
112M	140	190	175	224	216	195	119	70	112	338	352	11.2	21.2	M20	28	60	31.0	8	40
132M	178	216	218	260	255	221	136	89	132	432	445	12.5	30.0	M25	38	80	41.0	10	60
160M	210	254	264	318	318	260	136	108	160	597	615	14.5	30.0	M32	42	110	45.0	12	100
160L	254	254	308	318	318	260	136	108	160	641	659	14.5	30.0	M32	42	110	45.0	12	100



Dimension in mm

Size	P (BD)	N (AK)	M (AJ)	T (BB)	S (BF)
80	120	80	100	3,0	M6
90L	140	95	115	3,0	M8
100L	160	110	130	3,5	M8
112M	160	110	130	3,5	M8
132M	200	130	165	4,0	M10
160M-L	250	180	215	4,0	M12



ORANGE1
HOLDING

ORANGE1
Electric Motors Spa

Administrative Headquarter

Piazza della Repubblica 28
20124 - Milano Italy

Production plants

Via Angelo Messedaglia 4
32030 - Arsiè (BL) Italy
T. +39 0439 750067
F. +39 0439 750070

Via A. Grandi 23
47030 - San Mauro Pascoli (FC) Italy
T. +39 0541 815611
F. +39 0541 815684

Via Mantova nr. 93
43122 Parma (PR) Italy
T. +39 0521 272383
F. +39 0521 272686

Orange1 USA

Thermolex Inc.
3820 Ohio Avenue Unit 5
Saint Charles, IL 60174
T. +1 630 690 3898

info@orange1.eu
www.orange1.eu

follow us   

